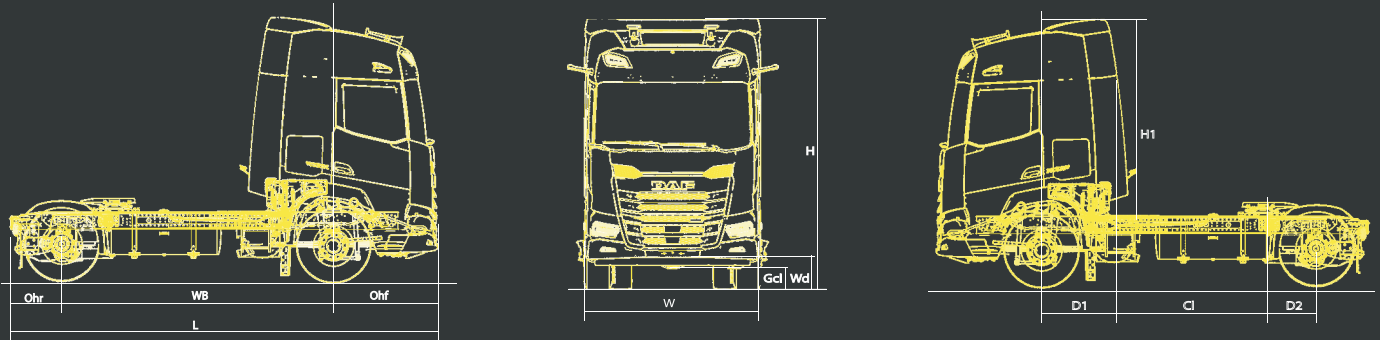


Specification H2 410 FT 4x2



Length [L]	6280	Wheelbase rear rear [Ohr]	4000	Ground clearance [Gcl]	280	Distance 1 [D1]	1160
Width [W]	2550	Overhang rear [Ohr]	750	wading depth [Wd]	463	Distance 2 [D2]	650
Height [H]	3820 ¹	Overhang front [Ohf]	1530	Clearance [Cl]	2220	Height [H1]	2940

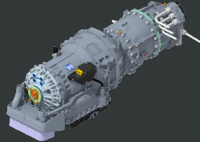
Dimensions in [mm]
¹ (not ot scale)

Drivetrain

Electric Drive

ZF Cetrax I

Power	300 kW [410 HP]
Voltage nom.	650 VAC



HV Battery

BMZ Prototyp Etruck

Voltage	650 VDC
Capacity	100,4 kWh
Cell chemistry	NMC



Fuel Cell

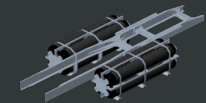
Refire Prisma XII+

Power	130 kW
Voltage nom.	650 VAC



Hydrogen Storage System

Argo-Anleg	
Usable H ₂	30,6 kg
Weight	~ 500 kg
Operating Temperature	-40 - 85 °C



Performance

H2 Storage capacity		30,6 kg [1.019,9 kWh]
Consumption	Overall	6,1 kg [159,5 kWh/100km]
	Heavy Route	11,2 kg [275,8 kWh/100km]
	Flat Route	2,6 kg [117,5 kWh/100km]
	Full load on 5% incline	15,8 kg [342,8 kWh/100km]

Dead Weights

Front axle load	5384 kg
Rear axle load	2206 kg
Total	7590 kg